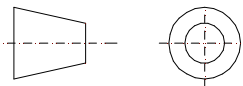


THIRD ANGLE
PROJECTION



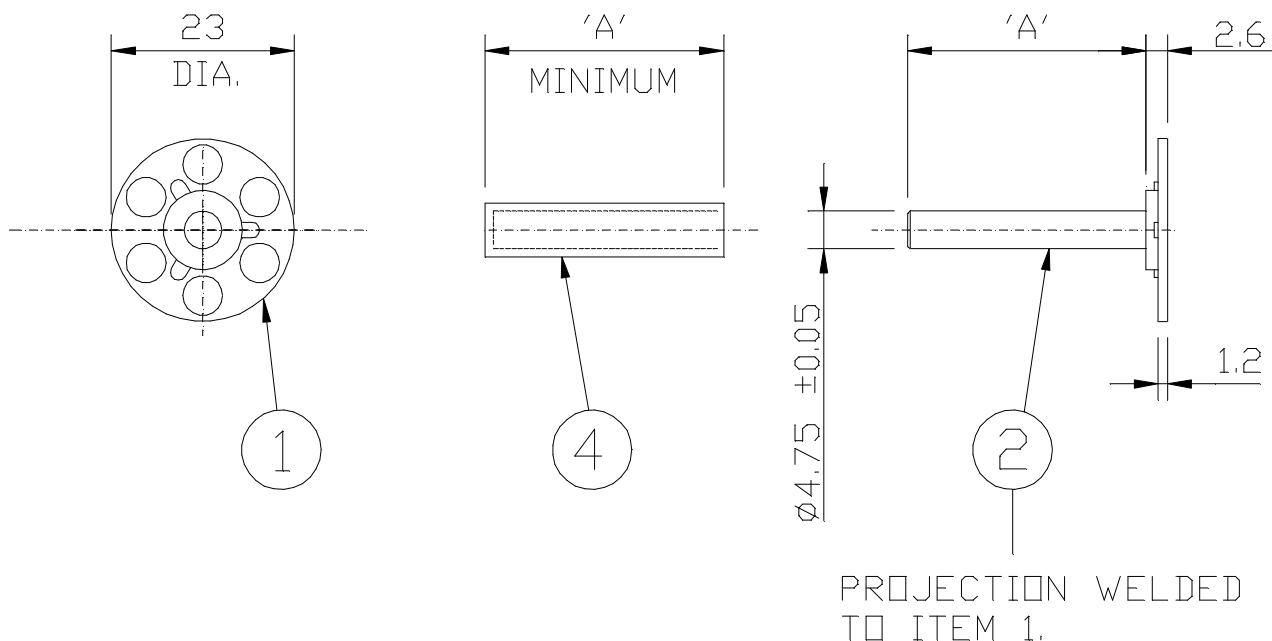
ALL DIMENSIONS
IN MILLIMETRES.

DRG. NO.
M4-B23-4.75

DRG. CONFORMS TO B.S.308

SCALE: FULL SIZE

DATE: 02/10/98



MATERIALS: ITEMS 1&2, MILD STEEL
ITEM 4 POLYTHENE

FINISH: ZINC PLATE & GOLD PASSIVATE
TO BS.1706, DEF,130

ITEM	PART No.	DESCRIPTION.	QTY.	PRODUCT NUMBER (& ORDERING CODE)	LENGTH 'A'(mm)	WEIGHT (Kg/100)
1	B23	PERFORATED PLATE	1			
2	4000	4.75 PIN	1	M4/B23-4.75X12	12	0.50
3 OR				M4/B23-4.75X20	20	0.70
				M4/B23-4.75X25	25	0.80
4	305000	THREAD PROTECTOR	1	M4/B23-4.75X30	30	0.85
				M4/B23-4.75X40	40	1.00
				M4/B23-4.75X50	50	1.10
				M4/B23-4.75X60	60	1.20
				M4/B23-4.75X75	75	1.40
				M4/B23-4.75X100	100	1.70

BIGHEAD BONDING FASTENERS LTD.
BOURNEMOUTH ENGLAND.

TITLE:
B23 PIN FASTENER

DRG.NO.
M4-B23-4.75

ISSUE
5