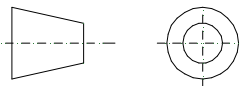


THIRD ANGLE
PROJECTION



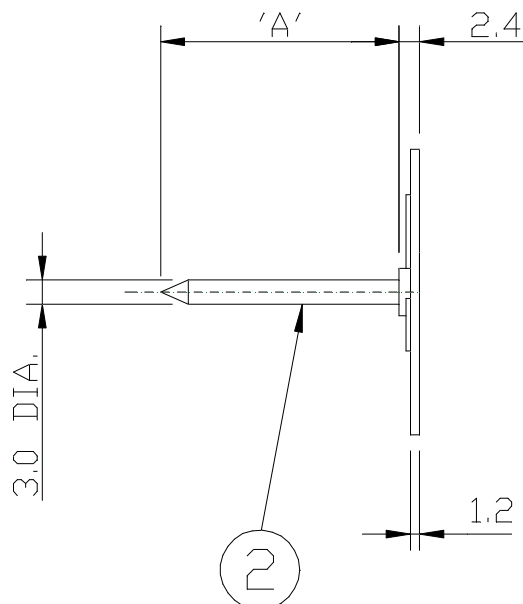
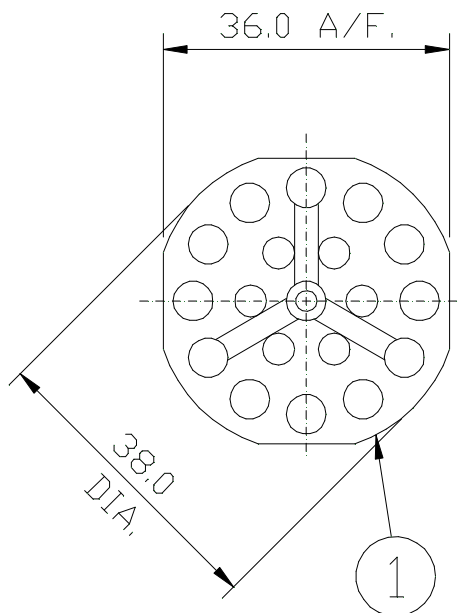
ALL DIMENSIONS
IN MILLIMETRES.

DRG. NO.
316-M5-B38-3.0

DRG. CONFORMS TO B.S.308

SCALE: FULL SIZE

DATE: 28/07/03



PROJECTION WELDED
TO ITEM 1.

MATERIALS: 316-STAINLESS STEEL

FINISH: SELF COLOUR

ITEM	PART No.	DESCRIPTION.	QTY.	PRODUCT NUMBER (& ORDERING CODE)	LENGTH 'A'(mm)	WEIGHT (Kg/100)
1	316-B38	PERFORATED PLATE	1			
2	8000	3.0 PIN	1	316-M5/B38-3.0X25	25	0.86
3 OR				316-M5/B38-3.0X30	30	0.89
				316-M5/B38-3.0X40	40	0.94
4				316-M5/B38-3.0X50	50	1.00
				316-M5/B38-3.0X60	60	1.06
				316-M5/B38-3.0X75	75	1.13
				316-M5/B38-3.0X100	100	1.28

BIGHEAD BONDING FASTENERS LTD.
BOURNEMOUTH ENGLAND.

TITLE: 316-B38 PIN FASTENER

DRG.NO. 316-M5-B38-3.0

ISSUE
1