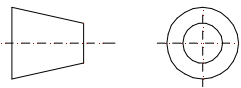


THIRD ANGLE
PROJECTION



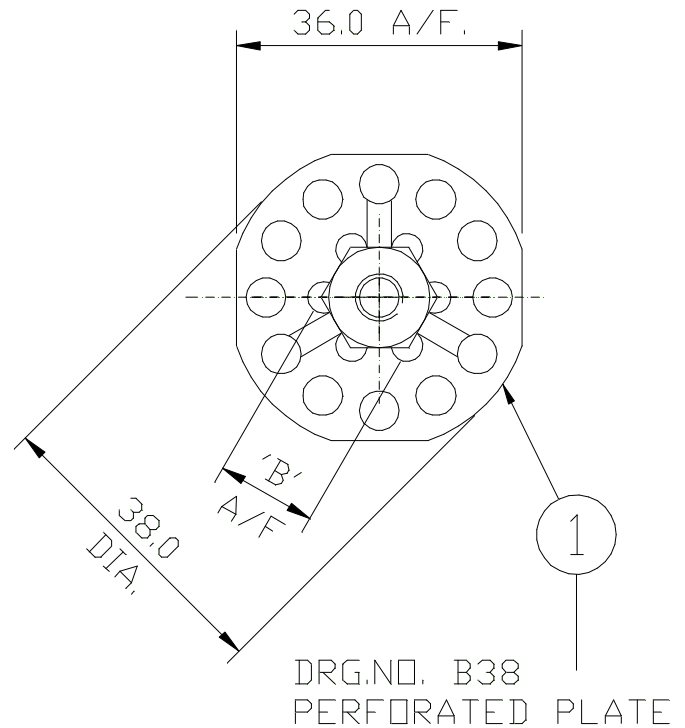
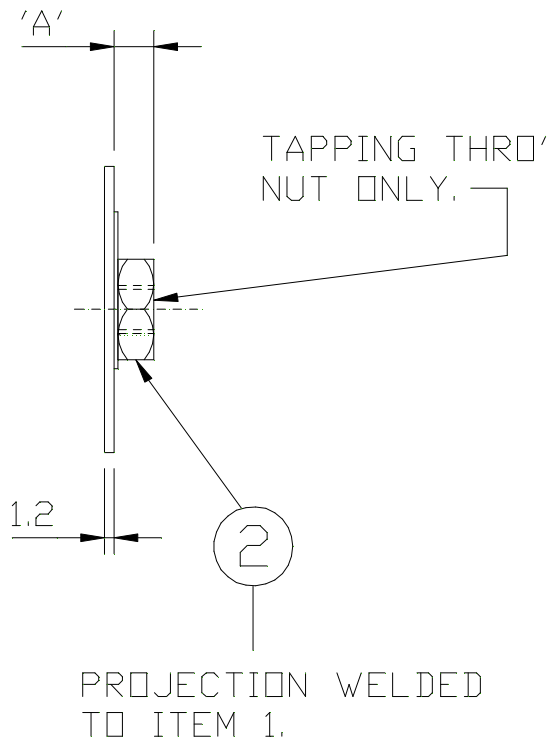
ALL DIMENSIONS
IN MILLIMETRES.

DRG. NO.
F1-B38 SERIES

DRG. CONFORMS TO B.S.308

SCALE: FULL SIZE

DATE: 23-11-98



MATERIALS:
ITEMS 1 & 2 MILD STEEL

FINISH: ZINC PLATE & GOLD PASSIVATE
TO BS.1706, DEF,130

| PRODUCT No. ORDER CODE | ITEM 1 | ITEM 2 | ITEM 3 (NOT SHOWN) | DIM. 'A' | DIM. 'B' | WEIGHT (Kg/100) |
|---------------------------|-----------|------------------------------|---------------------------------|----------|----------|--------------------|
| F1/B38-M4 | SEE ABOVE | DRG. NO. 804 M4 FULL NUT | DRG.NO. 101 THREAD PROTECTOR | 5.0 | 12.7 | 1.22 |
| F1/B38-M5 | SEE ABOVE | DRG. NO. 805 M5 FULL NUT | DRG.NO. 101 THREAD PROTECTOR | 5.0 | 12.7 | 1.19 |
| F1/B38-M6 | SEE ABOVE | DRG. NO. 806 M6 FULL NUT | DRG.NO. 101 THREAD PROTECTOR | 5.0 | 12.7 | 1.17 |
| F1/B38-M8 | SEE ABOVE | DRG. NO. 808 M8 FULL NUT | DRG.NO. 101 THREAD PROTECTOR | 6.3 | 13.0 | 1.20 |
| F1/B38-M10 | SEE ABOVE | DRG. NO. 810 M10 FULL NUT | DRG.NO. 101 THREAD PROTECTOR | 8.0 | 17.0 | 1.78 |
| F1/B38-M12 | SEE ABOVE | DRG. NO. 212 M12 FULL NUT | DRG.NO. 101 THREAD PROTECTOR | 10.0 | 19.0 | 2.23 |

BIGHEAD BONDING FASTENERS LTD. BOURNEMOUTH - ENGLAND.

TITLE:
B38 NUT FASTENER

DRG.NO.
F1-B38 SERIES

ISSUE
5