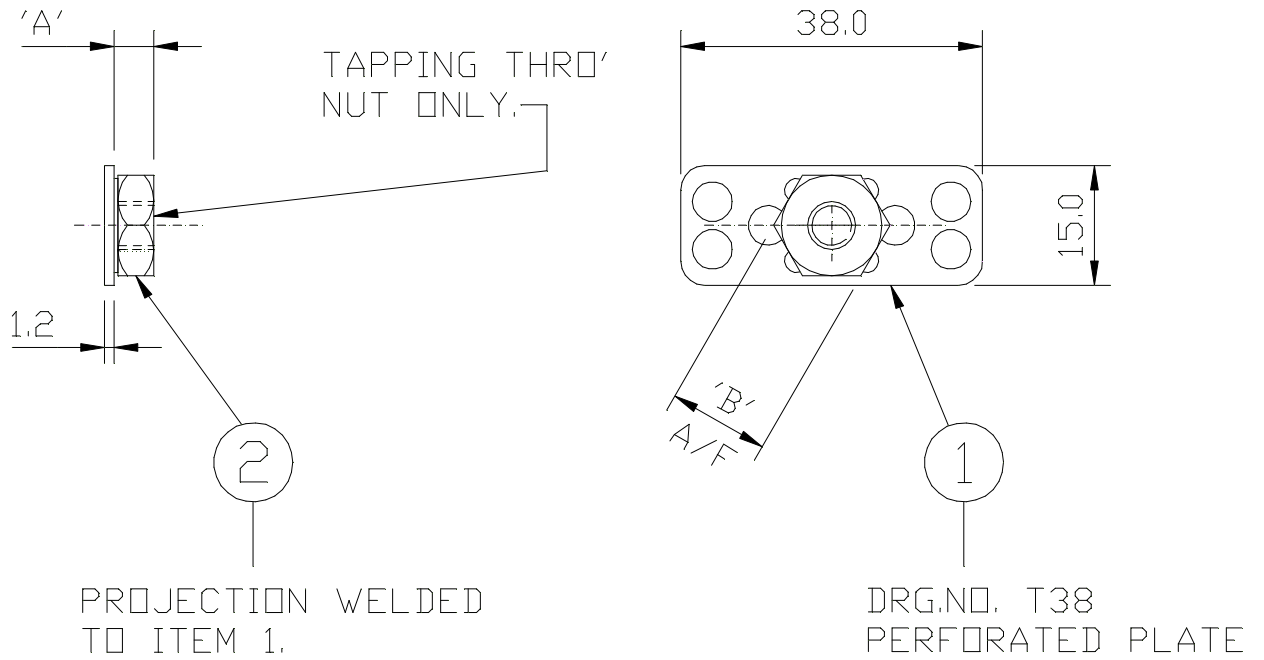


THIRD ANGLE PROJECTION 	ALL DIMENSIONS IN MILLIMETRES.	DRG. NO. 316-F1-T38
DRG. CONFORMS TO B.S.308	SCALE: FULL SIZE	DATE: 24-11-98



MATERIALS: ITEMS 1&2, ST.STL.316S16	FINISH: SELF COLOUR
--	------------------------

PRODUCT No. ORDER CODE	ITEM 1	ITEM 2	ITEM 3 (NOT SHOWN)	DIM. 'A'	DIM. 'B'	WEIGHT (Kg/100)
316-F1-T38-M4	SEE ABOVE	DRG. NO. 704 M4 FULL NUT	DRG.NO. 101 THREAD PROTECTOR	5.0	12.7	0.85
316-F1-T38-M5	SEE ABOVE	DRG. NO. 705 M5 FULL NUT	DRG.NO. 101 THREAD PROTECTOR	5.0	12.7	0.85
316-F1-T38-M6	SEE ABOVE	DRG. NO. 706 M6 FULL NUT	DRG.NO. 101 THREAD PROTECTOR	5.0	12.7	0.81
316-F1-T38-M8	SEE ABOVE	DRG. NO. 708 M8 FULL NUT	DRG.NO. 101 THREAD PROTECTOR	6.3	13.0	0.90
316-F1-T38-M10	SEE ABOVE	DRG. NO. 210 M10 FULL NUT	DRG.NO. 101 THREAD PROTECTOR	8.0	17.0	1.44

BIGHEAD BONDING FASTENERS LTD,
BOURNEMOUTH ENGLAND.

TITLE: 316-T38 NUT FASTENER	DRG.NO. 316-F1-T38 SERIES.	ISSUE 5
--------------------------------	-------------------------------	------------