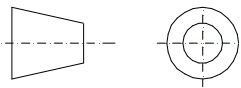


THIRD ANGLE  
PROJECTION



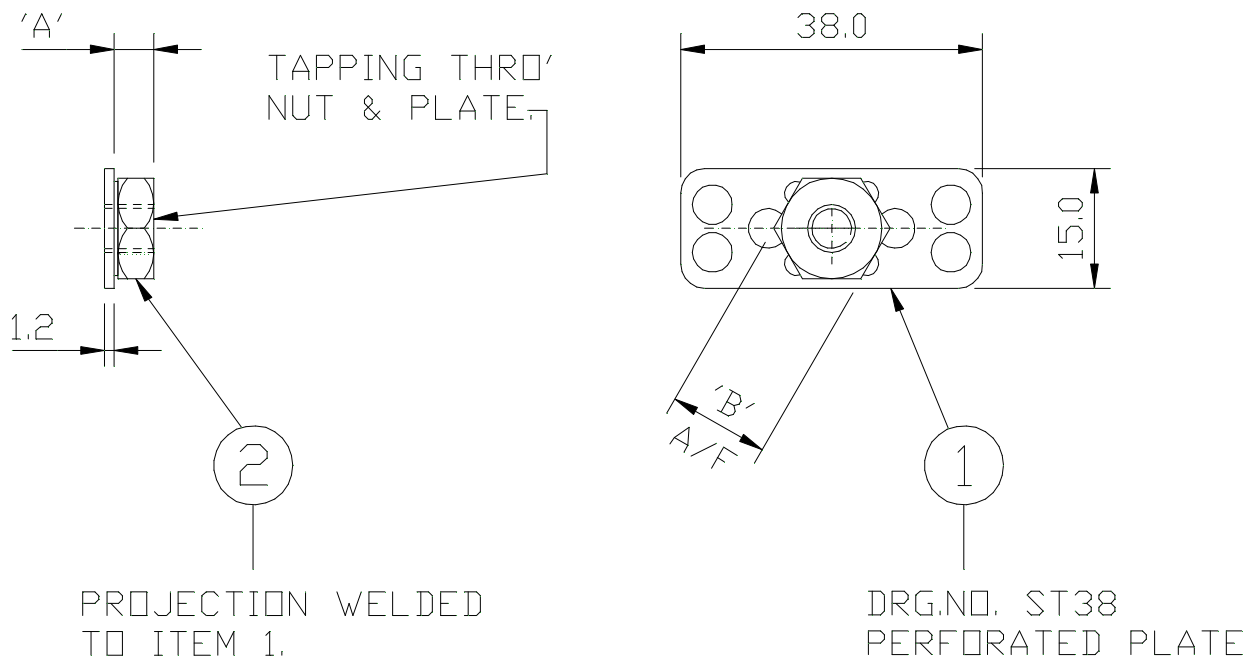
ALL DIMENSIONS  
IN MILLIMETRES.

DRG. NO.  
316-F1-ST38

DRG. CONFORMS TO B.S.308

SCALE: FULL SIZE

DATE: 18/01/99



MATERIALS:  
ITEMS 1&2, ST.STL.316S16

FINISH:  
SELF COLOUR

PRODUCT No. ORDER CODE	ITEM 1	ITEM 2	ITEM 3 (NOT SHOWN)	DIM. 'A'	DIM. 'B'	WEIGHT (Kg/100)
F1-ST38-M4	SEE ABOVE	DRG. NO. 604 M4 SHOULDER NUT	DRG.NO. 101 THREAD PROTECTOR	5.0	12.7	0.85
F1-ST38-M5	SEE ABOVE	DRG. NO. 605 M5 SHOULDER NUT	DRG.NO. 101 THREAD PROTECTOR	5.0	12.7	0.85
F1-ST38-M6	SEE ABOVE	DRG. NO. 606 M6 SHOULDER NUT	DRG.NO. 101 THREAD PROTECTOR	5.0	12.7	0.81
F1-ST38-M8	SEE ABOVE	DRG. NO. 608 M8 FULL NUT	DRG.NO. 101 THREAD PROTECTOR	6.3	13.0	0.90
F1-ST38-M10	SEE ABOVE	DRG. NO. 210 M10 FULL NUT	DRG.NO. 101 THREAD PROTECTOR	8.0	17.0	1.44

BIGHEAD BONDING FASTENERS LTD.  
BOURNEMOUTH ENGLAND.

TITLE:  
316-ST38 NUT FASTENER

DRG.NO.  
316-F1-ST38 SERIES.

ISSUE  
5