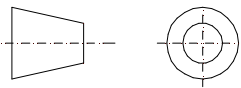


THIRD ANGLE
PROJECTION



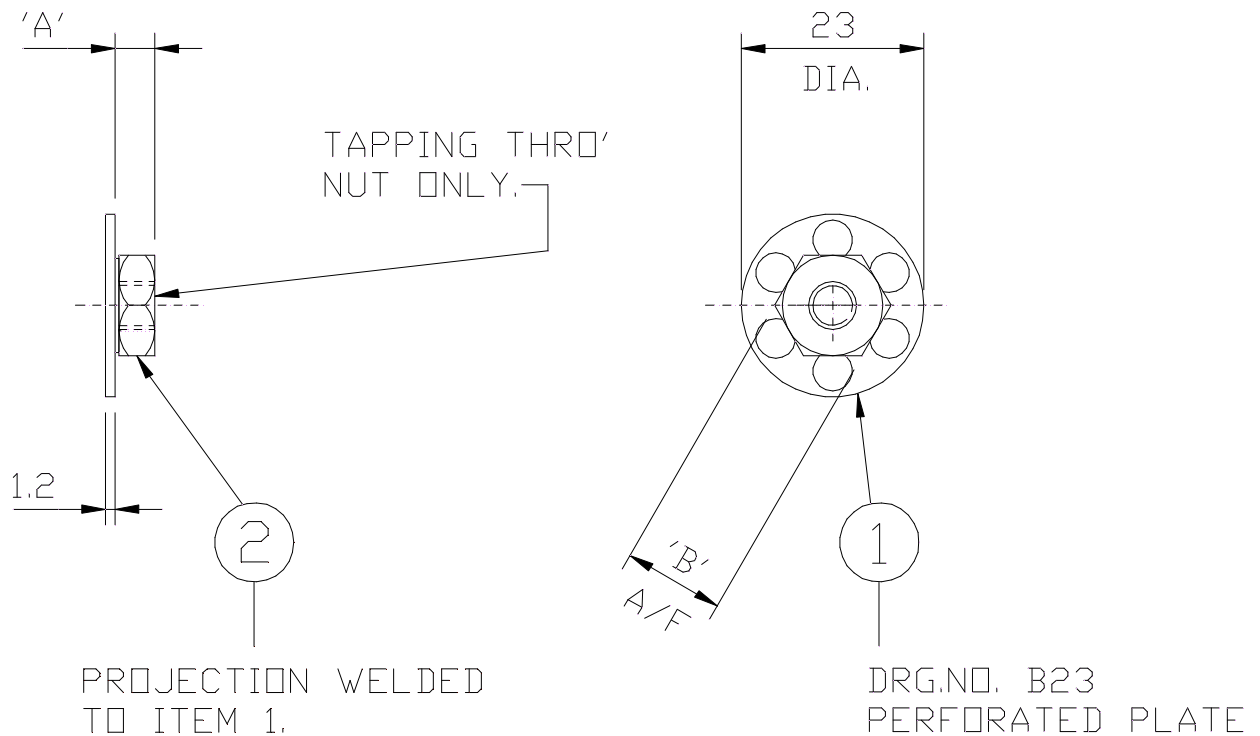
ALL DIMENSIONS
IN MILLIMETRES.

DRG. NO.
316-F1-B23

DRG. CONFORMS TO B.S.308

SCALE: FULL SIZE

DATE: 19/01/99



MATERIALS:
ITEMS 1&2, ST.STL.316S16

FINISH:
SELF COLOUR

PRODUCT No. ORDER CODE	ITEM 1	ITEM 2	ITEM 3 (NOT SHOWN)	DIM. 'A'	DIM. 'B'	WEIGHT (Kg/100)
F1-B23-M4	SEE ABOVE	DRG. NO. 704 M4 FULL NUT	DRG.NO. 101 THREAD PROTECTOR	5.0	12.7	0.80
F1-B23-M5	SEE ABOVE	DRG. NO. 705 M5 FULL NUT	DRG.NO. 101 THREAD PROTECTOR	5.0	12.7	0.74
F1-B23-M6	SEE ABOVE	DRG. NO. 706 M6 FULL NUT	DRG.NO. 101 THREAD PROTECTOR	5.0	12.7	0.72
F1-B23-M8	SEE ABOVE	DRG. NO. 708 M8 FULL NUT	DRG.NO. 101 THREAD PROTECTOR	6.3	13.0	0.76
F1-B23-M10	SEE ABOVE	DRG. NO. 210 M10 FULL NUT	DRG.NO. 101 THREAD PROTECTOR	8.0	17.0	1.32

BIGHEAD BONDING FASTENERS LTD,
BOURNEMOUTH ENGLAND.

TITLE:
316-B23 NUT FASTENER

DRG.NO.
316-F1-B23 SERIES.

ISSUE
5